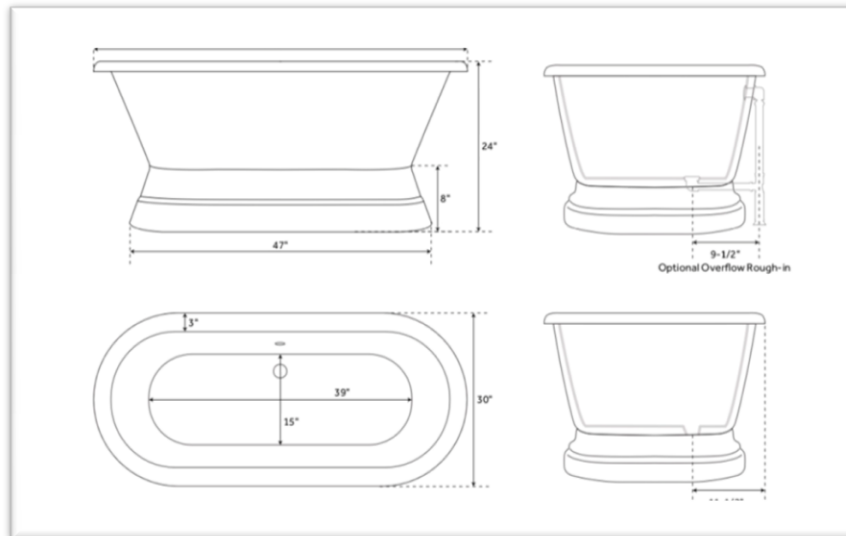


## FREE STANDING CAST IRON TUB



60" Dimensions: 60" L x 30" W (front to back) x 24" H ( $\pm 1/2"$ ). Water capacity: 32 gallons. Weight uncrated/crated: 340/450 lbs.



## DECK MOUNT FAUCET

